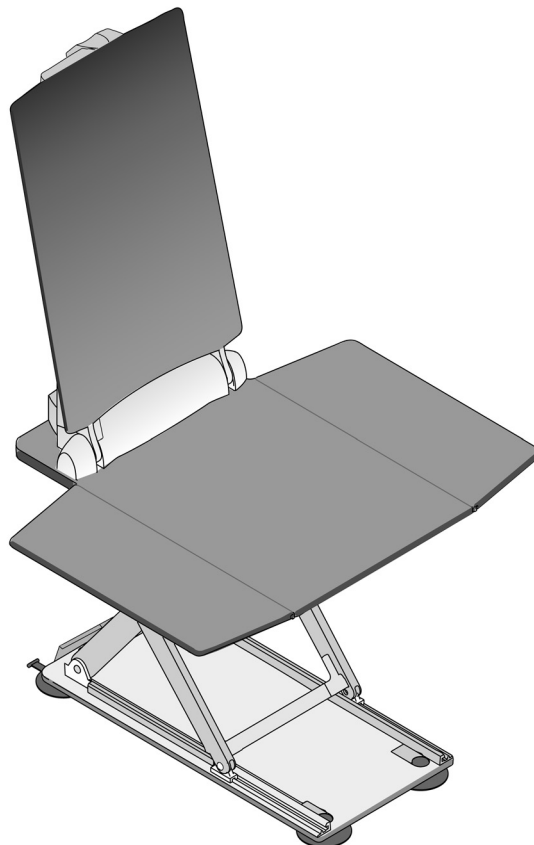


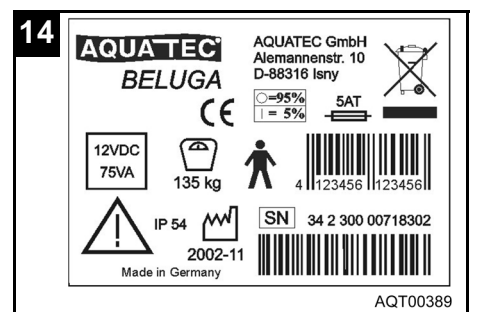
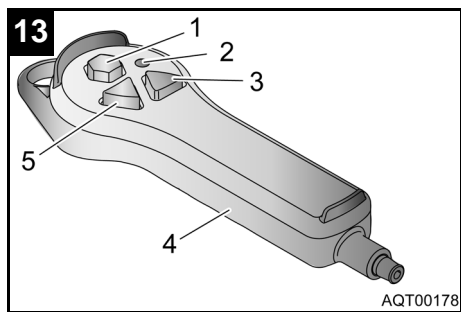
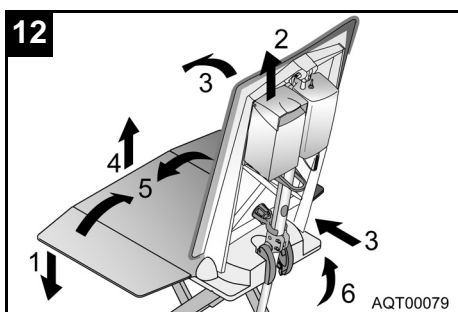
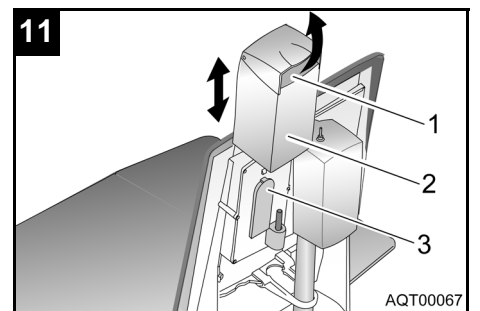
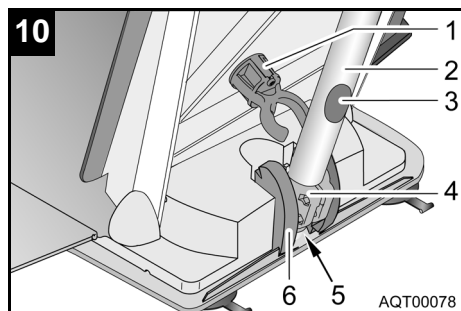
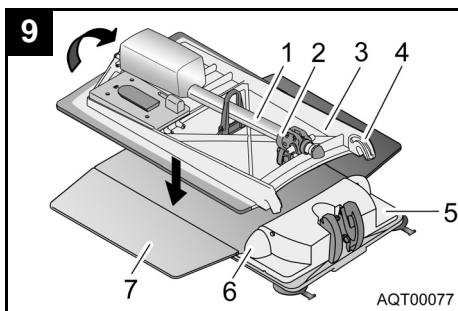
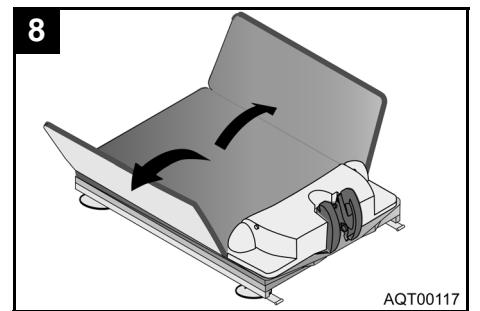
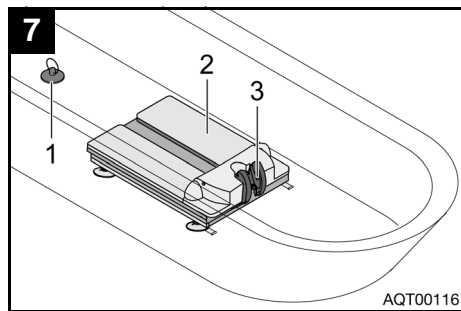
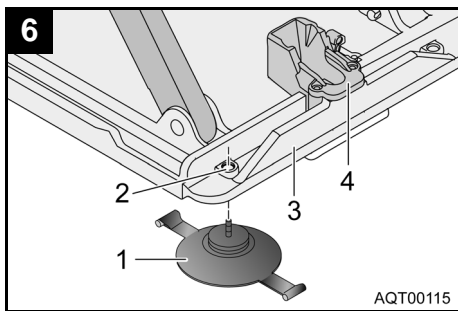
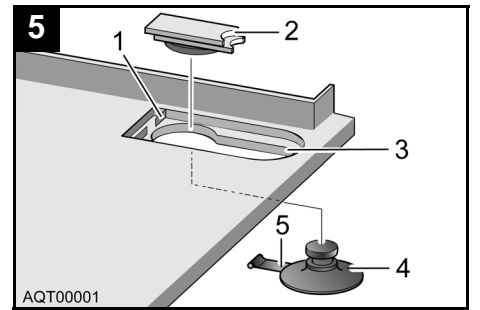
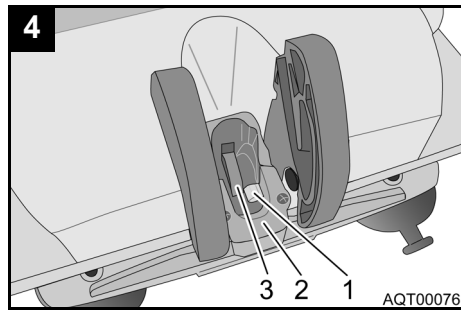
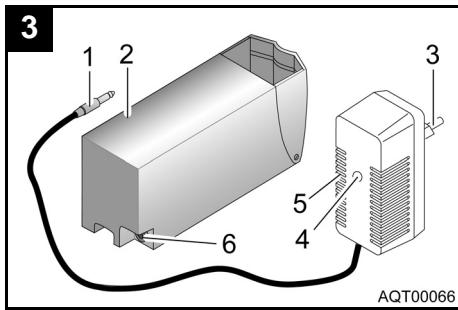
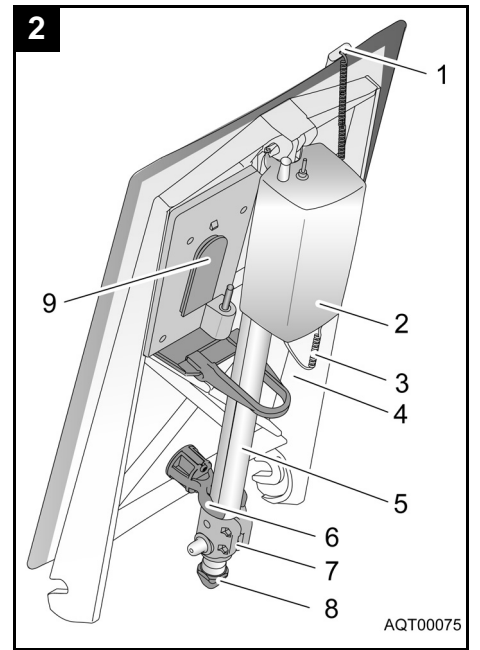
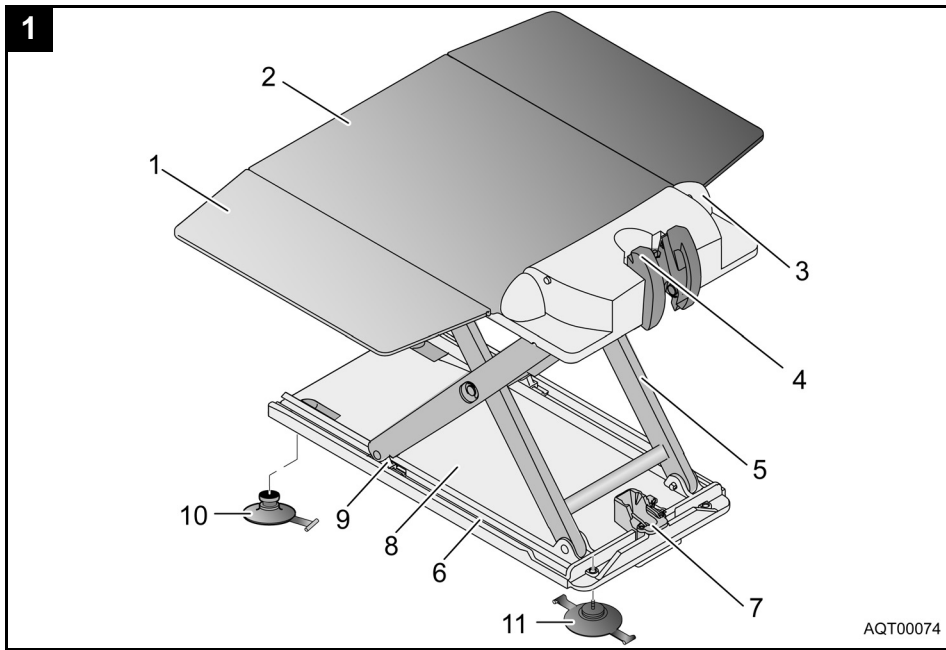
Bathlift
Operating Instructions



IMPORTANT!

Before you use the product, please read these operating instructions carefully. Pay attention to all instructions, especially those regarding safety, and follow them at all times.





Contents

1	General instructions	10
1.1	Introduction	10
1.2	Proper use	10
1.3	Warranty	10
1.4	Re-use/Reconditioning	10
1.5	Disposal	10
1.6	CE marking	11
2	Safety instructions	11
2.1	Warnings and symbols	11
2.2	General instructions	11
2.3	Instructions on the battery and charger	11
3	Description	12
3.1	Scope of delivery	12
3.2	Technical data.	12
4	Transport	12
5	Setting up	12
5.1	Recharging the battery	12
5.2	Attaching the suction cups	13
5.2.1	Preparing for assembly	13
5.2.2	Attaching the front suction cups	13
5.2.3	Attaching the rear suction cups.	13
5.2.4	Completing assembly	13
5.3	Setting up the bathlift in the bathtub	13
5.4	Removing the bathlift from the bathtub	14
6	Operation	15
6.1	Control	15
6.1.1	Lifting	15
6.1.2	Lowering	15
6.1.3	Emergency stop	15
6.2	Using the bathlift.	15
6.3	Troubleshooting	16
7	Care and maintenance	16
7.1	Seat and backrest.	16
7.2	Charger and battery	16
7.3	Maintenance	16

1 General instructions

1.1 Introduction

These operating instructions contain information and instructions regarding the safe and proper use of your bathlift.

In the text, we refer to figures and individual items within the figures. These references are shown in brackets.

Example: (3, fig. 1) refers to figure 1, item 3.

Keep all documents in a safe place.

1.2 Proper use

The bathlift is designed exclusively for lowering and lifting a person in a bathtub.

Any other use is prohibited.

Never use the bathlift as an aid to get in or out of anything, nor as a support, lifting platform or for other similar purposes.

1.3 Warranty

The warranty depends on the legal specifications in the country of destination or on the specifications made by our sales partners.

In the event of damage, please notify your specialist dealer or contact one of the addresses printed in these operating instructions.

The covers, suction cups and the battery are not covered by the warranty.

The warranty period begins at the delivery date as shown on the delivery note.

1.4 Re-use/Reconditioning

The product is designed for repeated use. The maximum number of times you can re-use the product depends on its general state and condition.

On reconditioning, always follow the **AQUATEC** reconditioning and hygiene instructions. These are available on request from **AQUATEC**.

1.5 Disposal



This product has been supplied from an environmentally aware manufacturer that complies with the Waste Electrical and Electronic Equipment (WEEE) Directive 2002/96/CE.

This product may contain substances that could be harmful to the environment if disposed of in places (landfills) that are not appropriate according to legislation.

The "crossed out wheelee bin" symbol is placed on this product to encourage you to recycle wherever possible.

Please be environmentally responsible and recycle this product through your recycling facility at its end of life.

1.6 CE marking

The product complies with EU Directive 93/42/EEC for medical equipment.

2 Safety instructions

2.1 Warnings and symbols

The following warnings and symbols are used in these operating instructions:

*	<p>CAUTION!</p> <p>This notice indicates a potential hazard. Not following these instructions can result in injury or damage.</p>
---	--



Important!

This symbol indicates additional instructions, information or tips.

2.2 General instructions



The bathlift may only be used for lowering and lifting a person within a bathtub.



If you are unable to take a bath on your own, use the device only under supervision. Example: You might not always be able to reach the emergency stop button on the hand control while you are operating the device.



Observe the information on the label. Do not overload the bathlift.



If you are using bath oils or bath salts, do not exceed the recommended dosage. These additives may impair the operation of the lifting scissors.



Store the product in a dry room at a temperature of between 0 °C and 30 °C.



Never store the product directly next to heat sources.



Never expose the product to direct sunlight.



If you detect any malfunction, please contact your authorised dealer immediately.



Do not modify or reconstruct the device.

2.3 Instructions on the battery and charger



Never throw the battery into a fire. Do not store it near naked flames.



Do not open the battery.



If the battery becomes damaged and diluted sulphuric acid comes into contact with skin or clothing, wash the area immediately with plenty of water.



If diluted sulphuric acid comes into contact with eyes, immediately rinse the eye with plenty of water and go to a doctor.



Recharge the battery as soon as possible after each use.



To increase the life of the battery, recharge it once a month if you do not use the device for extended periods.



Only use the battery for running your bathlift and only use the charger for recharging the battery supplied.



Only plug the charger into the mains when the battery is connected to the charger.

* In the text, a picture illustrating the type of risk replaces the asterisk.

3 Description

3.1 Scope of delivery

The **AQUATEC BELUGA** is supplied with the following parts (fig. 1 to fig. 3):

Seat (fig. 1) consisting of:

- 1 Sideflap
- 2 Seat plate
- 3 Hinge for backrest
- 4 Guide
- 5 Lifting scissors
- 6 Track
- 7 Spindle foot retainer
- 8 Base plate
- 9 Gliding shoe
- 10 Front suction cup (single strap with head)
- 11 Rear suction cup (double strap with thread)

Backrest (fig. 2) consisting of:

- 1 Hand control
- 2 Drive unit cover
- 3 Curled cable for hand control
- 4 Backrest
- 5 Spindle
- 6 Catch for spindle
- 7 Clamp ring
- 8 Spindle foot
- 9 Battery guide with plug

Battery and charger (fig. 3)

- 2 Battery
- 5 Charger

Operating instructions (not illustrated)

Cover (optional)

Seat cover
Backrest cover

3.2 Technical data

Seat width with sideflaps folded out:	700 mm
Seat width with sideflaps folded in:	380 mm
Seat height at lowest position:	60 mm
Seat height at highest position:	420 mm
Maximum load:	135 kg
Total weight without battery:	12.9 kg
Seat weight:	8.6 kg
Weight of backrest:	4.3 kg
Weight of battery:	1.6 kg
Weight of charger:	0.5 kg
Operating voltage:	12 V
Charge time as from low-voltage warning:	approx. 5 h

The label (fig. 14) provides important information.
The label is on the rear side of the backrest.

4 Transport



Important

- The backrest is not locked on the seat when it is folded together.
- Do not remove the suction cups when transporting the bathlift.
- You may not transport the device with the battery inserted into the guide on the backrest.

Take the battery out of the guide and always disassemble the bathlift into two sections for transport (the seat and the backrest).

For detailed instructions on how to dismantle the device, please refer to section 5.4.

5 Setting up



Important!

- Before setting up, inspect all parts for damage caused by transport.
- During assembly, make sure the parts are positioned correctly in relation to each other.

5.1 Recharging the battery



CAUTION!

There is a risk of injury from electric shock.
Only recharge the battery in dry rooms (not in the bathroom).



Important!


- Recharge the battery completely each time before you use the bathlift.
- Make sure that the voltage specifications shown on the charger correspond to those of the power mains.

1. Insert the jack plug (1, fig. 3) of the charger (5, fig. 3) into the socket (6, fig. 3) of the battery (2, fig. 3).
2. Insert the power plug (3, fig. 3) of the charger into the power socket.

The red indicator lamp (4, fig. 3) on the charger stays on until the battery is fully recharged.

3. Pull the charger out of the power socket.
4. Disconnect the jack plug of the charger from the battery socket.

5.2 Attaching the suction cups

	CAUTION!
	<p>There is a risk of injury when the lifting scissors move.</p> <p>Do not reach between the lifting scissors during assembly.</p>



Important!

To detach the suction cups, follow these instructions in reverse order.

5.2.1 Preparing for assembly

1. Place the seat on its side.
2. Press the red button (1, fig. 4) in the spindle foot retainer (2, fig. 4).

The locking mechanism between the base plate and seat plate opens.

3. Carefully pull the base plate (8, fig. 1) and the seat plate (2, fig. 1) apart.

The seat is now lying in a stable position on its side.

5.2.2 Attaching the front suction cups



Important!

- The procedure is the same for the right and the left sides.
- The front suction cups have only one strap and a head that can be inserted into the plate.

1. Press the red suction cup lid (2, fig. 5) from below out of the slotted hole (3, fig. 5) in the base plate.



Important!

Lubricant film facilitates assembly.

2. Apply a thin layer of commercial skin cream to the head of the suction cup (4, fig. 5).



Important!

The strap with the toggle must point backwards when you insert it.

3. Insert the suction cup head from the bottom into the large opening in the slotted hole.
4. Pull the suction cup head all the way to the front of the smaller opening of the slotted hole.
5. Bend up the strap (5, fig. 5) and hook the toggle into the groove (1, fig. 5).
6. Push the red suction cup lid back in.

5.2.3 Attaching the rear suction cups

Screw the suction cup (1, fig. 6) from below into the threaded liner (2, fig. 6) provided for this.



Important!

- The procedure is the same for the right and the left sides.
- The rear suction cups have two straps and a thread.
- Attach the suction cups in such a way that you can reach one strap of each suction cup when the lift is set up in the bath.

The threaded liner is located on the same side of the base plate (3, fig. 6) as the spindle foot retainer (4, fig. 6).


5.2.4 Completing assembly

1. Carefully push the lifting scissors back together.

The locking mechanism between the base plate and seat plate closes automatically.

2. Place the seat on the attached suction cups.

5.3 Setting up the bathlift in the bathtub

	CAUTION!
	<p>The seat may slip if the suction cups do not adhere properly.</p> <ul style="list-style-type: none"> ● Before you set up the bathlift, clean the bathtub and the suction cups. ● Do not move the bathlift once you have installed it in the bathtub.




Important!

- The suction cups have to be attached.
- The battery must be fully charged.
- When lifting, please remember: The seat weighs 8.6 kg and the backrest weighs 4.3 kg (without the battery).
- If your bath has a handrail, use the sideflap diverter (optional).

1. Place the seat (2, fig. 7) onto the base of the empty bathtub. The spindle foot retainer (3, fig. 7) must point towards the end of the bath opposite the drain (1, fig. 7).

2. Fold the sideflaps of the seat outwards (fig. 8).
3. Place the backrest (without the battery) (3, fig. 9) onto the seat so that the slots (4, fig. 9) in the backrest fit in the hinges (6, fig. 9) of the seat plate (5, fig. 9).
4. Press the spindle (1, fig. 9) into the spindle catch (2, fig. 9) until it is engaged.

	CAUTION!
	<p>There is a risk of damage if the spindle foot slips out.</p> <ul style="list-style-type: none"> ● Before you lift up the backrest, check that the spindle is pushed into the catch. ● After you have folded the backrest out, check that the spindle foot is in the spindle foot retainer and is locked.

5. Carefully lift the backrest by pulling it up at the head end (fig. 9).

The pegs on the clamp ring (4, fig. 10) fit in the guides (6, fig. 10) on the seat plate. The spindle (2, fig. 10) is released from the catch (1, fig. 10). The spindle foot (5, fig. 10) is in the spindle foot retainer of the base plate. The ratchet (3, fig. 4) locks the spindle foot.

6. Insert the charged battery (2, fig. 11) into the guide (3, fig. 11) in the backrest from above.
7. Push the battery down completely. The battery should click in.

The bathlift is now ready for use.

5.4 Removing the bathlift from the bathtub

1. Let the water out of the bath.
2. Lower the bathlift (1, fig. 12) by pressing the DOWN button (5, fig. 13), until the backrest is at the stop.



Important!

Grasp deep into the grip so that you can hold the battery safely.

3. Unlock the battery by pulling the grip (1, fig. 11) up slightly.
4. Pull the battery upwards out of the guide (2, fig. 12).



Important!

- When folding the backrest, ensure that the curled cable of the hand control does not get caught.
- Do not fold the backrest down if there is water in the bath.

5. Hold the head end of the backrest in one hand.
6. With your other hand, hold the spindle near the red spot (3, fig. 10).
7. Push the spindle forward and at the same time slowly fold the backrest all the way forward (3, fig. 12).
8. Press the spindle into the catch (2, fig. 9).



Important!

When lifting, please remember: The seat weighs 8.6 kg, and the backrest weighs 4.3 kg (without the battery).

9. Pull the backrest up off the seat (4, fig. 12) and out of the bath tub.
10. Fold the sideflaps on the seat inwards (5, fig. 12).



Important!

Release the suction cups at the rear simultaneously.

11. To release the rear suction cups, pull the straps (11, fig. 1).
12. Lift the rear end of the seat further (6, fig. 12). This releases the front suction cups.



Important!

If you have installed the height adapters (optional), you also have to pull the straps on the front suction cups to release them.

13. Take the seat out of the bath.
14. Carefully put away all components of the bathlift.



6 Operation

6.1 Control



Important!

- Only use the battery supplied.
- If the battery does not have enough charge, the red battery pilot light goes on (2, fig. 13). In this case, the lowering function is disabled. However, you can still raise the lift. Recharge the battery immediately after you have raised it.
- The hand control device may only be used when the backrest is properly mounted and in upright position.
- If you let go of the button, the lift stops instantly in its position.

You use the hand control (fig. 13) for controlling the bathlift.

6.1.1 Lifting



Important!

If the backrest is folded down, it first moves to the upright position.

Press the UP button (3, fig. 13) on the hand control (4, fig. 13).

The backrest moves to the upright position, or the seat moves up.

6.1.2 Lowering



Important!

If the seat is already lowered, the backrest leans backwards.

Press the DOWN button (5, fig. 13) on the hand control (4, fig. 13).

The seat moves downwards, or the backrest moves back.

6.1.3 Emergency stop



Important!

Only press the red emergency stop button in the case of an emergency.

In an emergency situation, such as if the UP or DOWN button is jammed, press the emergency stop button (1, fig. 13).

The bathlift stops moving immediately.

On letting go of the emergency stop button and after having repaired the fault if this is the case, the bathlift is ready for use again.

6.2 Using the bathlift



CAUTION!

The seat may slip if the suction cups do not adhere properly.

Before you use the bathlift, make sure that it is securely positioned and cannot tip over, and that the spindle foot is sitting properly in the spindle foot retainer.



Important!

- Before you take a bath, do a test run* to make sure that the bathlift functions properly.
- Before using the bathlift, check the temperature of the bath water.

Section 5.3 describes how to set up the bathlift in the bathtub.

1. Raise the seat until it is level with the edge of the bath by pressing the UP button (3, fig. 13).

The sideflaps should be level and rest on the edge of the bathtub.

2. Fill the bath with water and check the temperature.
3. Sit down on the sideflap nearest to you as you would sit down on a chair.
4. Slide backwards until you are sitting in the middle of the seat.
5. Turn yourself so that you can be comfortably lowered into the water. Lift one leg after the other over the edge of the bathtub.
6. Once you are sitting correctly, press the DOWN button (5, fig. 13) to lower the seat into the water.

Once the seat has reached its lowest position, you can tilt the backrest back, so that you can lean back deeper in the water.

7. Keep pressing the DOWN button until the backrest is at the right position.

To get out of the bath, follow the above steps in reverse order.

To lift the seat, press the UP button (3, fig. 13).

8. Take the battery out of the guide and recharge it as described in section 5.1 or remove the bathlift as described in section 5.4.

* Run the bathlift unloaded once to the top and then back to the bottom.

6.3 Troubleshooting



Important!

The following table provides information on faults and their probable cause. If you cannot rectify a fault using the table, please contact your authorised dealer directly.

Problem	Possible causes	Remedy
No motor noise/ bathlift does not move	The battery is not properly inserted	Insert the battery (see section 5.3)
	The battery is flat	Recharge the battery (see section 5.1)
	The contacts are dirty	Clean the contacts
	The cable is damaged	Have your authorised dealer replace the cable
The bathlift can be raised but not lowered	Low-voltage protection is activated	Recharge the battery
The bathlift stops while being raised	The load is excessive	Note max. load
The battery cannot be recharged	The fuse is faulty	Have your authorised dealer check the battery
	The battery is faulty	Replace the battery
The bathlift slips	The suction cups are old or damaged	Replace the suction cups

3. Dry the product with a cloth.
4. Lightly grease the track (6, fig. 1) using Vaseline.
5. Remove the covers (optional) from the seat and backrest.

	CAUTION!
	There is a risk of damage. Do not tumble-dry the covers (optional).

6. Wash the covers (optional) in the washing machine at maximum 60 °C using a mild detergent.

7.2 Charger and battery

	CAUTION!
	There is a risk of injury from electric shock. <ul style="list-style-type: none"> ● Before cleaning the charger, always pull the plug out of the power socket. ● Never plug objects made of conducting material (e.g. knitting needles, metal pins) into the battery socket. ● Only use a dry cloth to clean the charger and the battery.

Wipe down the charger and the battery with a dry cloth.

7.3 Maintenance

The bathlift is maintenance-free provided you follow the care instructions described above.

7 Care and maintenance

7.1 Seat and backrest

	CAUTION!
	There is a risk of injury when the lifting scissors move. Be especially careful when cleaning the seat.
	There is a risk of damage. Never clean the backrest with a high pressure cleaner.



Important!

- Regularly clean the seat and backrest and keep them clean.
 - Do not use abrasive cleaning agents.
1. Wash the product with commercial detergents and disinfectants using a cloth or brush.
 2. Rinse the product with warm water.

